

FABRIMET

GUARD RAIL AND ACCESSORIES

**FABRIMET Inc.
4375, St-Joseph Blvd
Drummondville, Qc
J2B 1T8**

Telephone: 819-472-1164 – Fax: 819-478-1625

**ISO 9001/2000
Guard rail and accessories manufacturer and supplier since 1965**



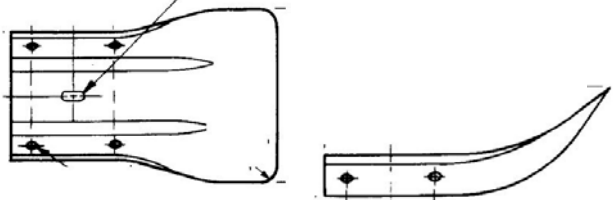
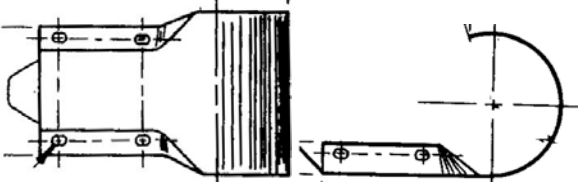
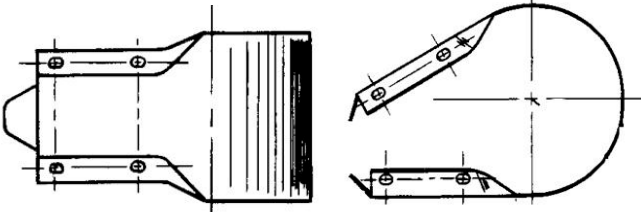
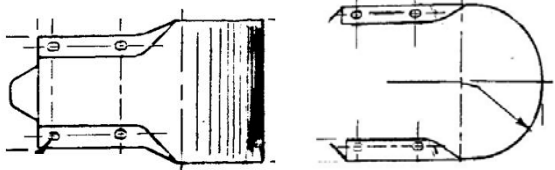
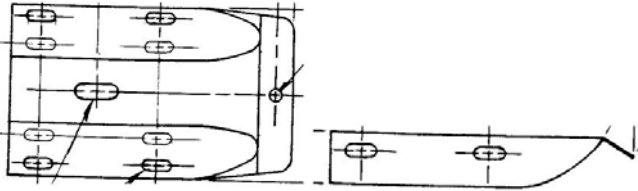
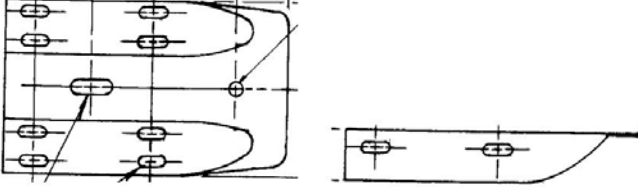
Guard rail & accessories

Guard rail

Article	Description	Code
	<p>Flex beam guard rail 3.81m perforated at 1.95m c/c</p>	<p>R-1221</p>
	<p>Anchor flex beam guard rail perforated at 1.95m c/c</p>	<p>R-1221-A</p>
	<p>Concave / convex flex beam guard rail</p>	<p>R-1221-C</p>
	<p>Flex beam guard rail 3.81m perforated at 0.95m c/c</p>	<p>R-1221-E</p>
	<p>Flex beam guard rail 1.60m</p>	<p>R-1221-G</p>


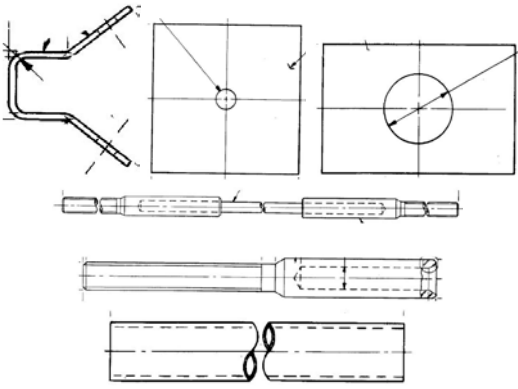

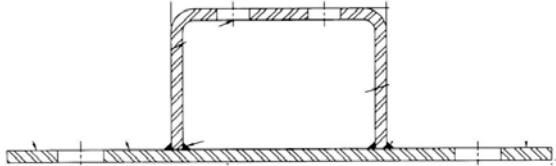
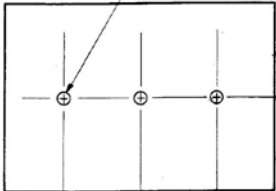
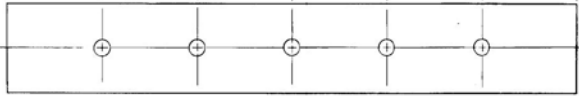
**For guaranteed quality demand products made by
FABRIMET**

Guard rail extremity

Article	Description	Code
	Standard terminal section	R-1222
	Alternat terminal section Radius 160mm Radius 280m	R-1223 R-1226
	Médian terminal section radius 280mm	R-1224
	Médian terminal section radius 160mm	R-1224-A
	Michigan shoe	R-1225
	Michigan shoe end treatment to column	R-1225-A

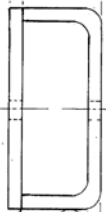
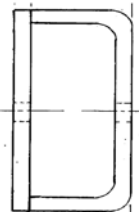

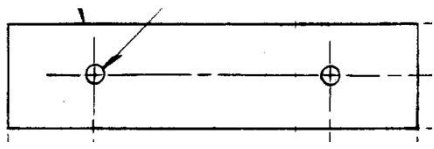
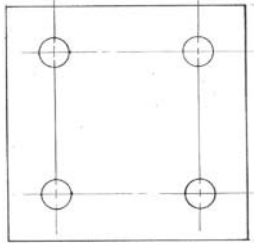
For guaranteed quality demand products made by
FABRIMET

Plates

Article	Description	Code
	Rectangular plate (4.7mm x 44mm x 75mm)	R-1227
	Start detail "Y" plate (1) Square anchor plate (1) Anchor block (1) Sleeve and steel cable (1) Tubular steel (1)	R-1228-A R-1228-B R-1228-C R-1228-D R-1228-E
	Reinforcing back plate for Michigan shoe (6mm x 45mm x 450mm, perforated at 328mm)	R-1229-A
	Rear plate for tubular posts perforated at 230mm c/c or 328mm c/c	R-1232-A
	Anchor ground plate (6mm x 450mm x 600mm)	R-1230
	Plate for cement anchor block (10mm x 50mm x 750mm) 5 holes	R-1251

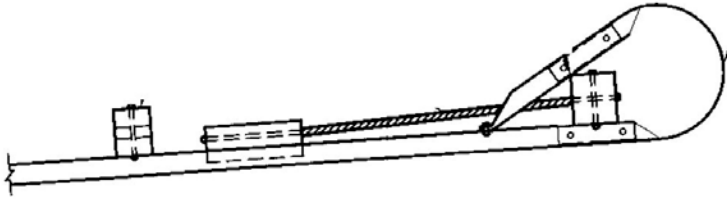

**For guaranteed quality demand products made by
FABRIMET**

PLates

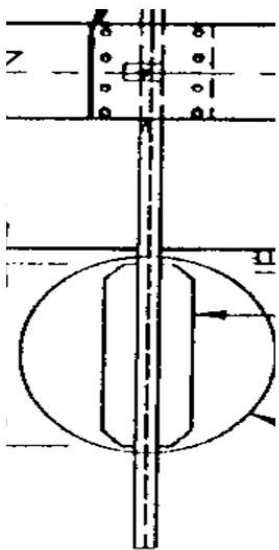
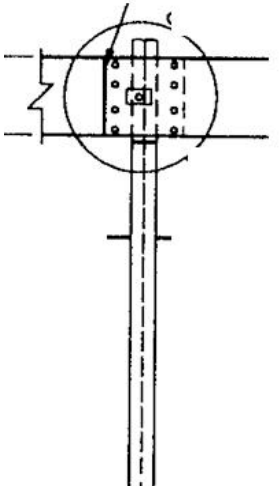
Article	Description	Code
	Transition steel block 6 x 84 x 90mm	R-1237
	Transition steel block 6 x 109 x 115mm	R-1238
	Transition steel block 6 x 44 x 50	R-1239
	Rear plate for cement connection 6 x 22 x 450mm	R-1231
	Base plate PL 25 x 250 x 250	R-1310

For guaranteed quality demand products made by
FABRIMET

Flex beam guard rail

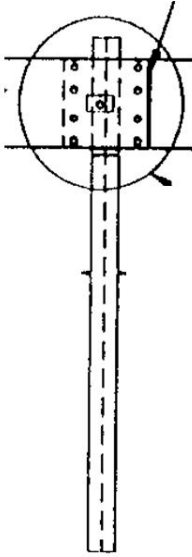
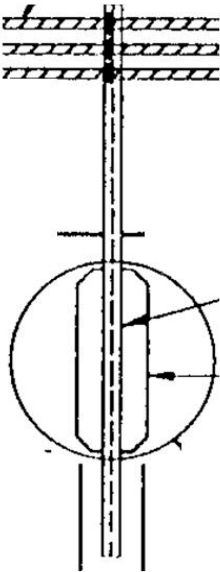
Article	Description	Code
	<p style="text-align: center;">Start detail</p> <p>Anchor flex beam guard rail (1) Médian terminal section (1) Michigan shoe (1) Anchor system (1) Anchor ground plate (2)</p>	<p>R-1221-A R-1224 R-1225 R-1228 R1230</p>
	<p style="text-align: center;">End detail</p> <p>Anchor flex beam guard rail (1) Standard terminal section (1) Anchor system (1) Anchor ground plate (1)</p>	<p>R-1221-A R-1222 R-1228 R-1230</p>

Guard rail posts

Article	Description	Code
	<p>"I" steel post LS 75 x 8 x 1830mm – 260W With welded anchor plate</p>	<p>R-1260</p>
	<p>Steel post "WF" WF 150 x 14 x 1830mm – 300W</p> <p>Steel block "WF" WF 150 x 14 x 400mm – 300W variable position on 100mm</p>	<p>R-1262</p> <p>R-1262-1</p>

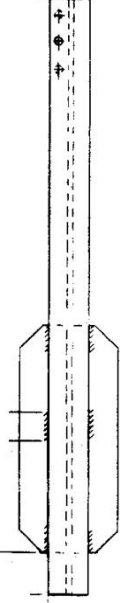
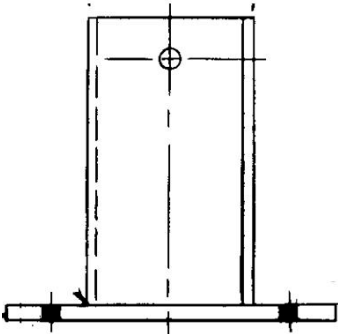
For guaranteed quality demand products made by
FABRIMET

Guard rail posts

Article	Description	Code
	<p>Steel post WF 150 x 14 x 1830mm – 300W</p> <p>Steel block WF 150 x 14 x 400mm – 300W variable position sur 100mm</p>	<p>R-1265</p> <p>R-1265-1</p>
	<p>Stell post for flex beam, steel cable "I" LS 75 x 8 x 1830mm – 300W</p> <p>Hook bolt</p>	<p>R-1270</p> <p>R-1270-2</p>

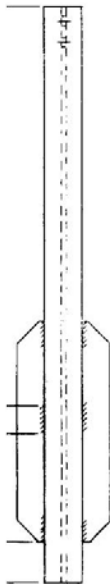
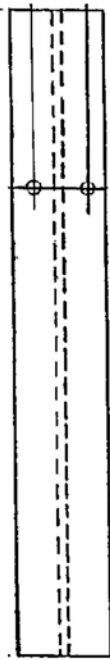
For guaranteed quality demand products made by
FABRIMET

Guard rail posts

Article	Description	Code
	Steel post for cable flex beam "I" LS 75 x 8 x 1830mm – 300W	R-1275
	Anchor wood post for cement bridge PL 25 x 310 x 370 With HSS	R-1360

For guaranteed quality demand products made by
FABRIMET

Guard rail posts

Article	Description	Code
	Tubular steel post for median flex beam guard rail "I" LS 75 x 8 x 1830mm – 300W	R-1290
	Steel post WF 150 x 14 (6 @ 9) – 300W	R-1320

For guaranteed quality demand products made by
FABRIMET

FABRIMET

Guard rail & accessories

Nuts and bolts for guard rail

Bolts

5/8 x 1-1/4" (16mm x 32mm)

5/8 x 8" (16mm x 203mm)

5/8 x 9" (16mm x 229mm)

5/8 x 10" (16mm x 254mm)

5/8 x 10-1/2" (16mm x 267mm)

5/8 x 12" (16mm x 305mm)

5/8 x 14" (16mm x 356mm)

5/8 x 18" (16mm x 457mm)

Flat washer

Spring washer

Nut

In addition, we are ability to fabricate any special order as your drawings

